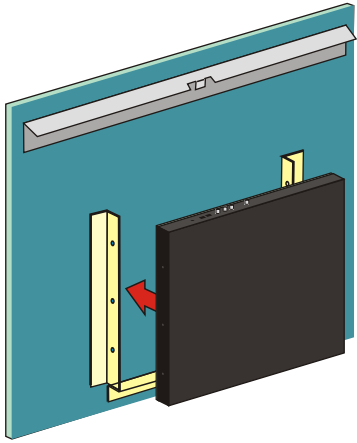
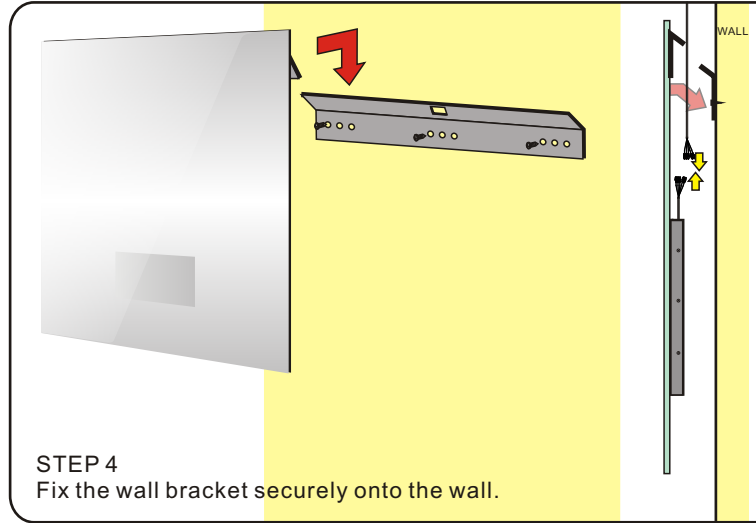


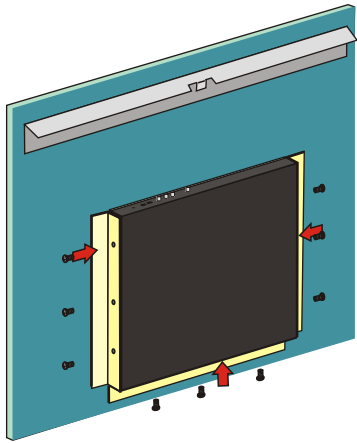
Vanity Installation



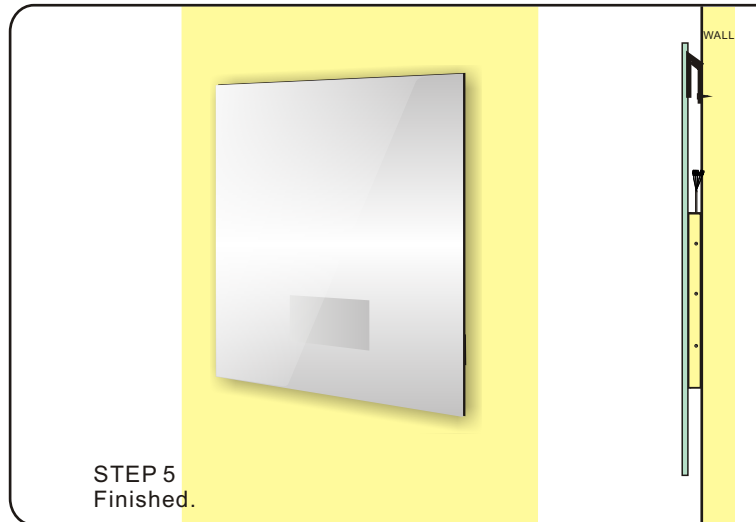
STEP 1
Put the TV unit to mirror and check no dust particles are present.



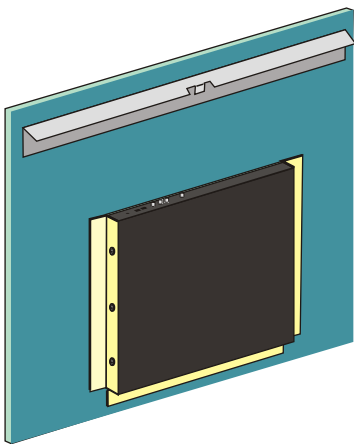
STEP 4
Fix the wall bracket securely onto the wall.



STEP 2
Screw into place.



STEP 5
Finished.



STEP 3
Connect up the cables and check the TV is working.