

# Bluetooth Ceiling Speaker System BT40W5.25SL



www.techvision.co.uk

## 5.25" SL SERIES - SLIMLINE CEILING SPEAKERS PAIR

A high-grade ceiling speaker featuring a hi-flex polypropylene cone main driver for extended low frequency response, and a mylar tweeter unit for accurate HF reproduction. A flared waveguide baffle helps to aid dispersion for wider coverage, and a precision 2-way filter network gives accurate high-low separation. The twist-fit grille enables quick and neat installation resulting in a premium quality sound delivery system.

Efficient 2-way crossover network

Gold-plated spring terminals

Sleek, understated profile

Flared baffle for wide dispersion

3-way "dog-ear" mounts for quick installation

Supplied in pairs

Tweeter 12mm $\varnothing$  (0.5") mylar dome

Impedance 8 ohms

Dispersion angle 160°

Crossover frequency 4.5kHz

Size 135mm (5.25") Pair

Woofer 130mm $\varnothing$  (5.25") PP cone

Frequency response 50Hz - 20kHz

Power rms 35W

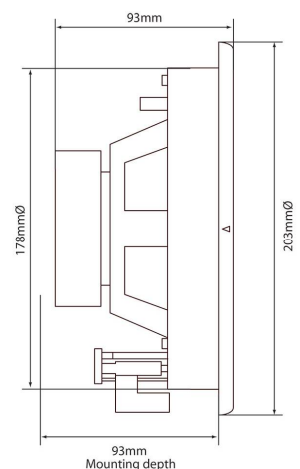
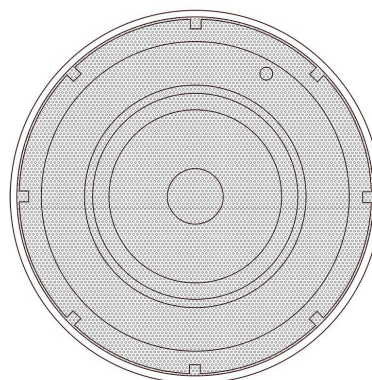
Cutout 178mm $\varnothing$

Mounting depth 93mm

SPL @ 1W/1m 88dB

Dimensions (each) 93 x 203mm $\varnothing$

Weight (each) 1.3kg





### Amplifier Spec:

Protocol	Bluetooth 3.0 + EDR
Support Bluetooth	A2DP 1.0, AVRCP 1.0, GAVDP 1.0, AVDTP 1.0
Command Signal	2.4GHz
Harmonic Distortion	>0.1%
Signal to Noise Ratio	75dB
Frequency Range	20Hz – 20KHz
Transmission Range	5m to 10m
Max Power Output	2ch*20W at 4 Ohm
Voltage	12Volt DC / 4amp
Dimensions (W*L*H)	188*88*45mm