



www.techvision.co.uk

Bluetooth Ceiling Speaker System BT40W5.25CC

5.25" CEILING SPEAKER PAIR

A wide range speaker with a 13cm (5.25") polypropylene cone with foam rubber surround to minimise distortion. The housing is made from white ABS with a rigid steel grille also in white to mount discreetly into a ceiling.

130mm (5.25") polypropylene wide range speaker

Fitted with "dog-ear" mounts for quick installation

Fitted with attractive metal grille

Spring terminal connections

Woofer 130mm (5.25") PP cone

Frequency response 100Hz - 12kHz

Power max. 35W

Power rms 20W

Impedance 8 ohms

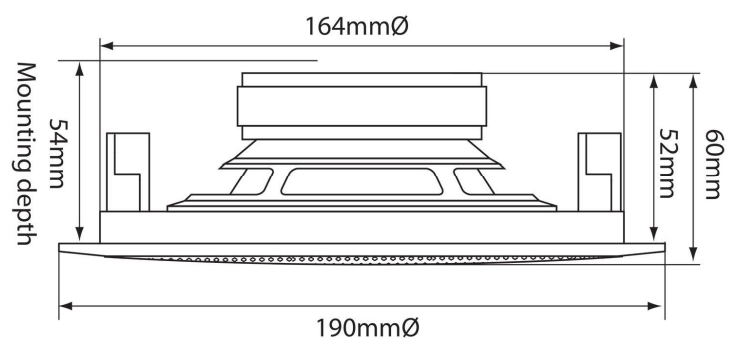
Cutout 170mmØ

Mounting depth 54mm

SPL max. 88dB

Dimensions 60 x 190mmØ

Weight 1.25kg





Amplifier Spec:

Protocol	Bluetooth 3.0 + EDR
Support Bluetooth	A2DP 1.0, AVRCP 1.0, GAVDP 1.0, AVDTP 1.0
Command Signal	2.4GHz
Harmonic Distortion	>0.1%
Signal to Noise Ratio	75dB
Frequency Range	20Hz – 20KHz
Transmission Range	5m to 10m
Max Power Output	2ch*20W at 4 Ohm
Voltage	12Volt DC / 4amp
Dimensions (W*L*H)	188*88*45mm