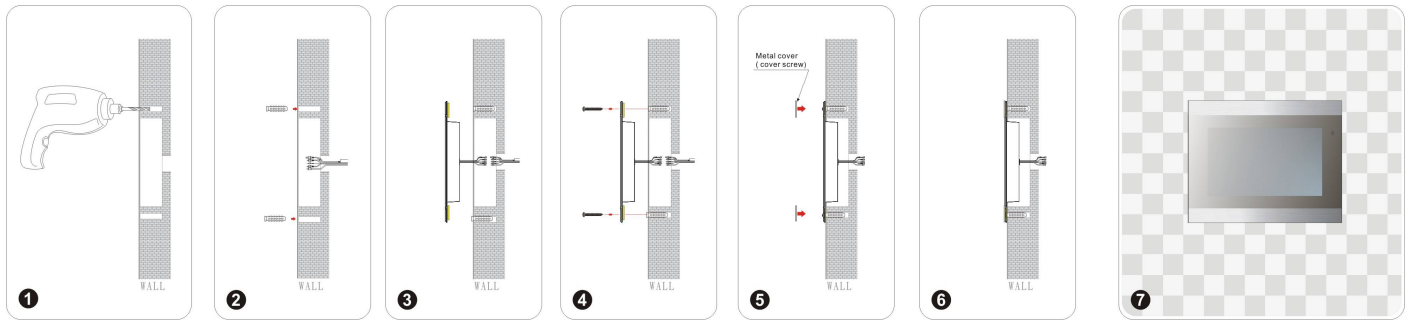
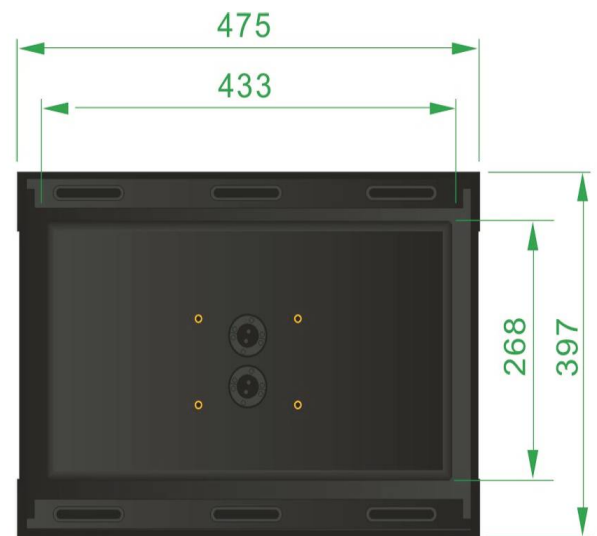


Infiniti Installation



STEP 1

Cut a hole in the wall (approx 440mm wide * 275mm high * 40mm deep). Drill pilot holes for fixing screws.



STEP 2

Plug the screw holes and feed wires to the rear of the unit.

STEP 3

Present the TV to the hole and connect the wires.

STEP 4

Screw the unit into place using the recessed slots in the housing. This ensures the screw heads do not stand proud. **NOW TEST THE TV.**

STEP 5

Peel off the 3M tape cover and fix the finishing strips. **DO NOT FIX UNTIL TV HAS BEEN TESTED.**