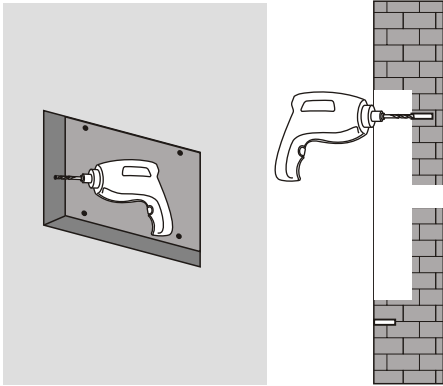
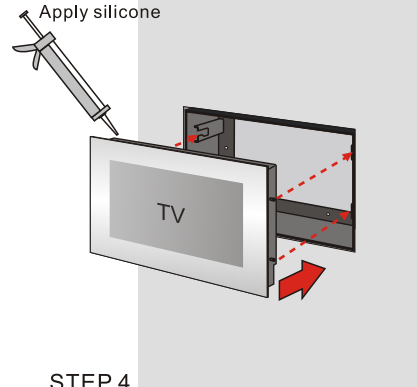


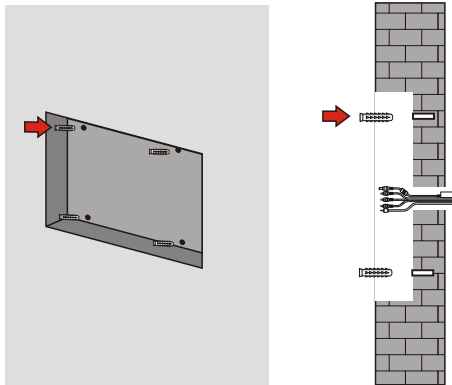
Edge & Trinity Installation



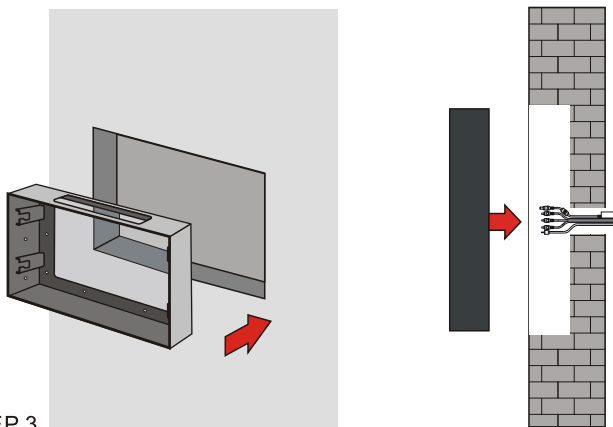
STEP 1
Cut a hole in the wall in order to house the back box.



STEP 4
Apply a bead of silicone to the rear of the TV, before slotting the TV into place.



STEP 2
Plug the screw holes and feed the required leads to the back of the unit.



STEP 3
install the back box and screw into place ensure the back box is flush with the wall.



STEP 5
Installation complete.